

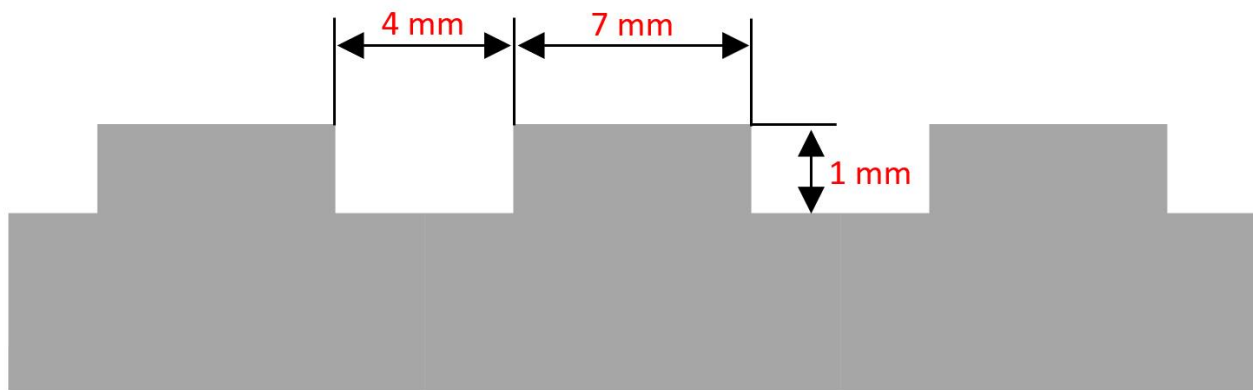


IONIC STONE

DIMENSIONS RANGE

TECHNICAL DRAWING

GROOVES & SQUARES



Indicative drawing - GROOVES and SQUARE ranges

For more information, please contact us at

E: global@ionicstone.com

P: [+90 258 814 5747](tel:+902588145747)